

MSCDN – MP2A

Capacitor unbalance protection

Document Release History

This document is issue 2010/02. The list of revisions up to and including this issue is:
Pre release

| | |
|------------|--|
| 2010/02 | Document reformat due to rebrand |
| 18/10/2004 | R2 Sigma 5 references removed and replaced by Lantronix UDS-10 |
| 12/02/2003 | R1 Revision history added |

Software Revision History

| | | |
|------------|--------------|--|
| 26/02/2003 | 2621H80002R9 | |
|------------|--------------|--|

The copyright and other intellectual property rights in this document, and in any model or article produced from it (and including any registered or unregistered design rights) are the property of Siemens Protection Devices Limited. No part of this document shall be reproduced or modified or stored in another form, in any data retrieval system, without the permission of Siemens Protection Devices Limited, nor shall any model or article be reproduced from this document unless Siemens Protection Devices Limited consent.

While the information and guidance given in this document is believed to be correct, no liability shall be accepted for any loss or damage caused by any error or omission, whether such error or omission is the result of negligence or any other cause. Any and all such liability is disclaimed.

Contents

| | |
|--|---|
| 1. Introduction | 4 |
| 2. Reysp Evolution..... | 4 |
| 3. Connection Specification And Relay Settings | 4 |
| 3.1. Recommended cable | 4 |
| 3.2. Connection Method..... | 4 |
| 3.3. Transmission Method..... | 5 |
| 3.4. Transmission Rate | 5 |
| 3.5. Line Idle Setting | 5 |
| 3.6. Parity Setting | 5 |
| 3.7. Address Setting | 5 |
| 4. Modems | 5 |
| 4.1 Connecting a modem to the relay(s)..... | 5 |
| 4.2 Setting the Remote Modem | 6 |
| 4.3 Connecting to the remote modem..... | 6 |

Figures

| | |
|---|----|
| Figure 1 - Basic Communications Configuration..... | 7 |
| Figure 2 - Basic Communications Configuration (Remote)..... | 8 |
| Figure 3 - Star Type Configuration (Using SIGMA-1 Multiplexer) | 9 |
| Figure 4 - Optical Ring Configuration (Using SIGMA-4 Fibre/RS232 Convertor)..... | 9 |
| Figure 5 – Direct Control System/Data Concentrator Configuration | 10 |
| Figure 6 – Automatic switchover remote to local control using the SIGMA-3 | 10 |
| Figure 7 – LAN Network connectivity using a SIGMA-3 + Lantronix UDS-10 or equivalent..... | 11 |

Glossary

| | |
|--|---|
| Baud Rate | See <i>bits per second</i> . |
| Bit | The smallest measure of computer data. |
| Bits Per Second (BPS) | Measurement of data transmission speed. |
| Data Bits | A number of <i>bits</i> containing the data. Sent after the <i>start bit</i> . |
| Half-Duplex Asynchronous Communications | Communications in two directions, but only one at a time. |
| Hayes 'AT' IEC 60870-5-103 | Modem command set developed by Hayes Microcomputer products, Inc. The International Electrotechnical Commission's Standard for communications with Protection Relays. |
| Master Station | See <i>primary station</i> . |
| Modem | MOdulator / DEModulator device for connecting computer equipment to a telephone line. |
| Parity | Method of error checking by counting the value of the bits in a sequence, and adding a parity bit to make the outcome, for example, even. |
| Parity Bit | <i>Bit</i> used for implementing parity checking. Sent after the <i>data bits</i> . |
| Primary Station | The device controlling the communication. |
| PSTN | Public Switched Telephone Network |
| RS232C | Serial Communications Standard. Electronic Industries Association Recommended Standard Number 232, Revision C. |
| Secondary Station | The device being communicated with. |
| Slave Station | See <i>secondary station</i> . |
| Start Bit | <i>Bit</i> (logical 0) sent to signify the start of a byte during data transmission. |
| Stop Bit | <i>Bit</i> (logical 1) sent to signify the end of a byte during data transmission. |

1. Introduction

All Reyrolle relays utilise the International Communications Standard for Protection Relays, IEC 60870-5-103. This document describes how to connect the IEC60870-5-103 compliant communications interface to a control system or interrogating computer.

To access the interface the user will need appropriate software within the control system or on the interrogating computer such as Reydisp Evolution.

The Reyrolle Argus 1 to Argus 8 range of protection relays have a single rear communications interface. The Reyrolle Modular II relay range which includes Ohmega, Delta, Duobias, Iota, Tau and MicroTaPP have two rear communications interfaces COM1 & COM2. COM2 is multiplexed with an RS232 port mounted upon the Fascia :-

1. COM1: this port is used for IEC60870-5-103 communications to a substation SCADA or integrated control system by default.
2. COM2: this port can also be used for IEC60870-5-103 communications to a substation SCADA or integrated control system. Note however that only one port can be mapped to the IEC60870-5-103 protocol at any one time. (The COMMS INTERFACE submenu includes a setting "IEC60870 on port", which maps the protocol to either COM1 or COM2). COM2 can also be accessed through an isolated RS232 (female 25-pin D-type) connector on the relay fascia. This provides facilities for access to the relay from a laptop or PC when commissioning or interrogating relays. A "COM2 Direction" setting is available which, when set to "AUTO-DETECT" automatically allows the front port to take control away from the rear port when a computer is plugged into the D-type connector.

2. Reydisp Evolution

Reydisp Evolution is a PC based software package providing capability for both local and remote communication to all Reyrolle Protection Relays . It provides features such as download of disturbance and event records, upload of relay settings, real-time monitoring of measurands and remote control of plant. Reydisp Evolution can be configured to connect to the relays using RS232, Fibre Optic, Modem or using Ethernet. When Ethernet is used the IEC 60870-5-103 protocol is transported using the TCP/IP protocol suite across a Local or Wide Area Network (LAN/WAN).

3. Connection Specification And Relay Settings

This section defines the connection medium as defined by IEC60870-5-103. Appendix A shows some typical communication connections.

3.1. Recommended cable

Two types of fibre-optic connectors are available with Reyrolle relays:

1. Fibres terminated with 9mm SMA connectors. With this type of connector the recommended cable is 62.5 / 125µm glass fibre. This will allow a maximum transmission distance of 1.7km between Reyrolle relays. It will also be the maximum distance between the ring network and the fibre to RS232 converter.

Alternatively, 1.0mm polymer cable may be used to reduce cost. This will provide transmission distances of up to 5m between relays. Note that the distance from the transmit output of the RS232 / fibre optic converter to the receive input of the first Reyrolle relay should not be more than 6m.

2. Fibres terminated with BFOC/2.5 (ST[®]) bayonet-style connectors. With this type of connector the recommended cable is also 62.5 / 125µm glass fibre. This offers superior performance over the SMA connectors in terms of better coupling to the fibre and therefore has lower losses.

No other types of cable are suitable for use with Reyrolle relays.

3.2. Connection Method

Reyrolle relays can be connected in either a Star or Ring fibre-optic communications network. If star connected then a passive fibre optic hub must be used. A lower cost option is the ring configuration where the Reyrolle relays are 'daisy chained.' That is, the transmit output of the first relay is connected to the receive input of the second relay, and so on until the ring is complete.

Communication to the ring may be achieved either locally in the substation or remotely via the Public Switched Telephone Network (PSTN). If remote communication is desired, then additional modem equipment must be installed.

3.3. Transmission Method

The transmission method is Half Duplex serial asynchronous transmission. In IEC 60870-5-103 the line idle state is defined as Light ON. This can alternatively be selected as Light OFF in the Communications Interface menu of the relay if required for use with alternate hardware (See Section 2.5).

3.4. Transmission Rate

Rates of 19200, 9600, 4800, 2400, 1200, 600, 300, 150, 110 and 75 bits per second (BPS) are provided. Only 19200 and 9600 BPS are standard in IEC 60870-5-103, the additional rates are provided for local or modem communications.

3.5. Line Idle Setting

The line idle setting can be set to be either ON or OFF and the setting must be compatible with the device connected to the relay. The IEC 60870-5-103 standard defines a line idle state of Light On. If the device the relay is connected to, does not have a compatible fibre-optic port then a suitable electrical to optical converter is required to connect it to a standard RS232C electrical interface. A suitable converter is the Sigma 4 type, which is available from Reyrolle Protection.

Alternative converters are the Reyrolle Dual RS232 Port (Sigma 3) or Reyrolle Passive Fibre-Optic Hub (Sigma 1).

1. The Sigma 3 Dual RS232 port provides a fibre-optic interface to a relay and two RS232 ports. The RS232 system port is typically connected to a control system while the second port is a local port. When the local port is in use the system port is automatically disabled. The Sigma 3 has an internal link to switch between line idle Light ON or Light OFF. The default configuration is Light OFF.
2. The Sigma 1 Passive Fibre-Optic Hub provides fibre-optic interfaces for up to 29 relays. It has a fibre-optic port to the control system and multiple relay connections. Each of the 30 fibre-optic ports can be configured for either Light ON or Light OFF operation. Default for all is OFF.

3.6. Parity Setting

IEC60870-5-103 defines the method of transmission as using EVEN Parity. However, in some instances an alternative may be required. This option allows the parity to be set to NONE.

3.7. Address Setting

The address of the relay must be set to a value between 1 and 254 inclusive before any communication can take place. Setting the address to zero disables communications to the relay, although if it is in an optical ring it will still obey the Data Echo setting. All relays in an optical ring must have a unique address. Address 255 is reserved as a global broadcast address.

4. Modems

The communications interface has been designed to allow data transfer via modems. However, IEC60870-5-103 defines the data transfer protocol as an 11 bit format of 1 start, 1 stop, 8 data and 1 parity bit which is a mode most commercial modems do not support. High performance modems, for example, Sonix (now 3Com), Volante and MultiTech Systems MT series will support this mode but are expensive. For this reason a parity setting (see section 2.6) to allow use of easily available and relatively inexpensive commercial modems has been provided. The downside to using no parity is that the data security will be reduced slightly and the system will not be compatible with true IEC60870 control systems.

4.1 Connecting a modem to the relay(s)

The RS232C standard defines devices as being either Data Terminal Equipment (DTE) e.g. computers, or Data Communications Equipment (DCE) e.g. modems. To connect the modem to a relay requires a fibre-optic to electrical connector and a Null Terminal connector which switches various control lines. The fibre-optic converter is then connected to the relay in the following manner :

| | |
|-----------------------|------------------|
| Fibre-Optic Converter | Relay Connection |
| Tx | Rx |
| Rx | Tx |

4.2 Setting the Remote Modem

Most modems support the basic Hayes 'AT' command format, though different manufacturers can use different commands for the same functions. In addition, some modems use DIP switches to set parameters while others are entirely software configured. Before applying the following settings it is necessary to return the modem to its factory default settings to ensure that it is in a known state.

The remote modem must be configured as Auto Answer, which will allow it to initiate communications with the relays. Auto answer usually requires 2 parameters to be set. One switches auto answer on and the other, the number of rings after which it will answer. The Data Terminal Ready (DTR) settings should be forced on which tells the modem that the device connected to it is ready to receive data. The parameters of the modem's RS232C port need to be set to match those set on the relay i.e. baud rate and parity to be the same as the settings on the relay, and number of data bits to be 8 and stop bits 1.

Note: although it may be possible to communicate with the modem at e.g. 19200bps, it may not be possible to transmit at this rate over the telephone system, which may be limited to 14400. A baud rate setting needs to be chosen which is compatible with the telephone system. As 14400 is not available in the relay, the next lowest rate, 9600, would have to be used.

Since the modem needs to be transparent, simply passing on the data sent from the controller to the device and vice versa, the error correction and buffering must be turned off. In addition if possible force the Data Carrier Detect (DCD) setting to ON as this control line will be used by the fibre-optic converter.

Finally these settings should be stored in the modem's memory for power on defaults.

4.3 Connecting to the remote modem

Once the remote modem is configured correctly it should be possible to dial into it using the standard configuration from a local PC. As the settings on the remote modem are fixed, the local modem should negotiate with it on connecting and choose suitable matching settings. If it does not, however, set the local modem to mimic the settings of the remote modem described above.

APPENDIX A - COMMUNICATION CONNECTIONS

Figures 1 to 6 illustrate a number of methods of connecting relays in communications networks.

Note that in the case of the optical ring configurations (Figure 4, Figure 6 and Figure 7), the Data Echo feature must be switched ON in the communications settings menu of the relay. In all other cases this setting should be set to OFF. In the data echo mode, everything that is received on the fibre optic receiver port is automatically (in hardware) re-transmitted from the transmitter port. This is made possible because of the communications standard IEC 60870-5-103 which operates half-duplex.

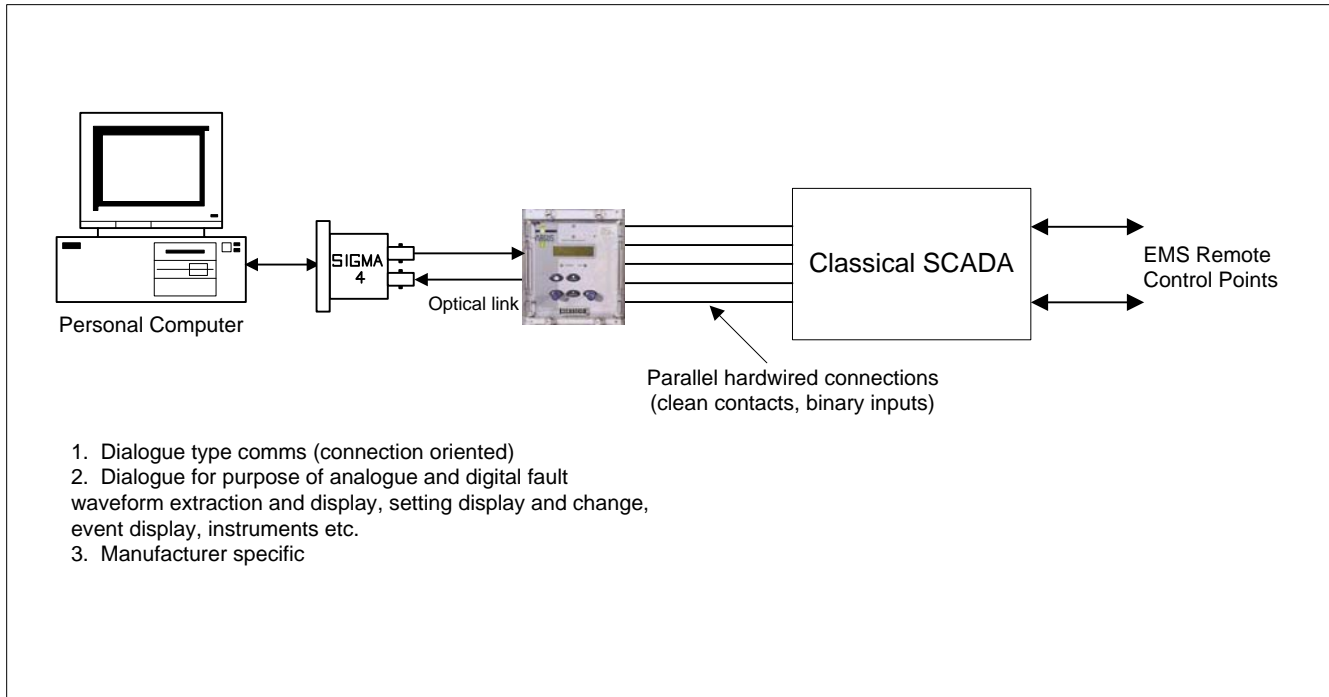


Figure 1 - Basic Communications Configuration

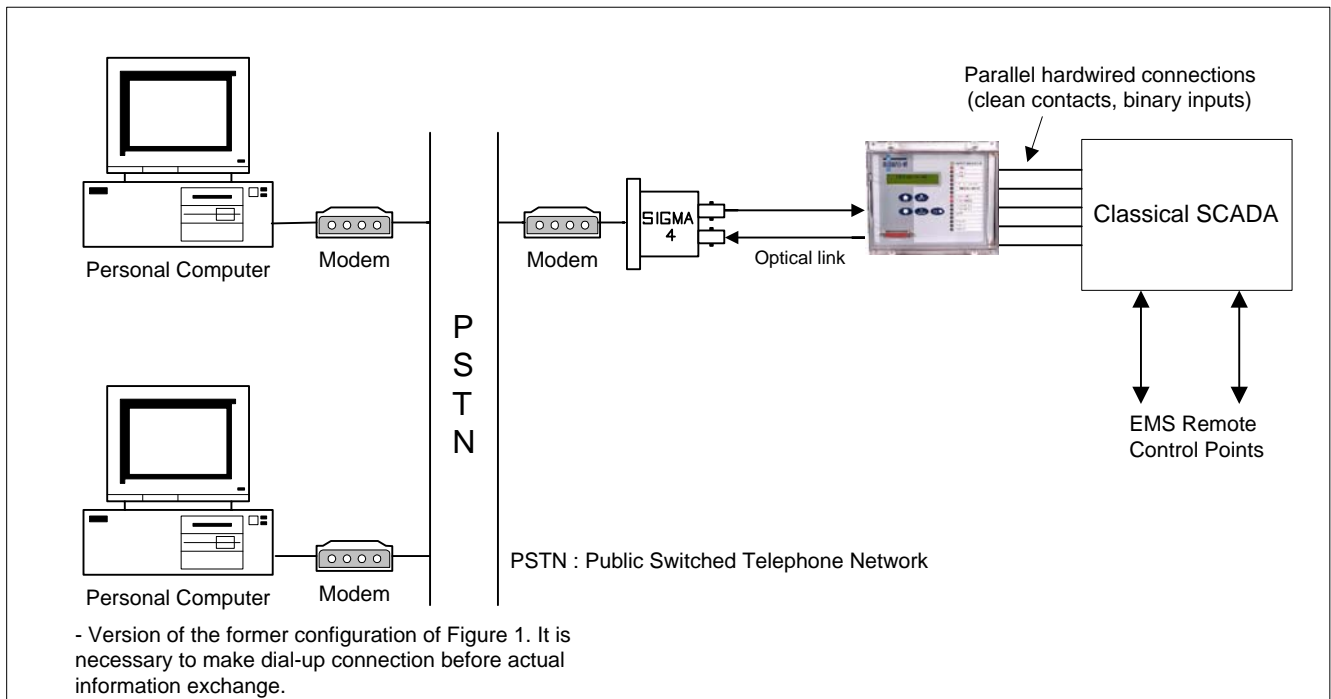
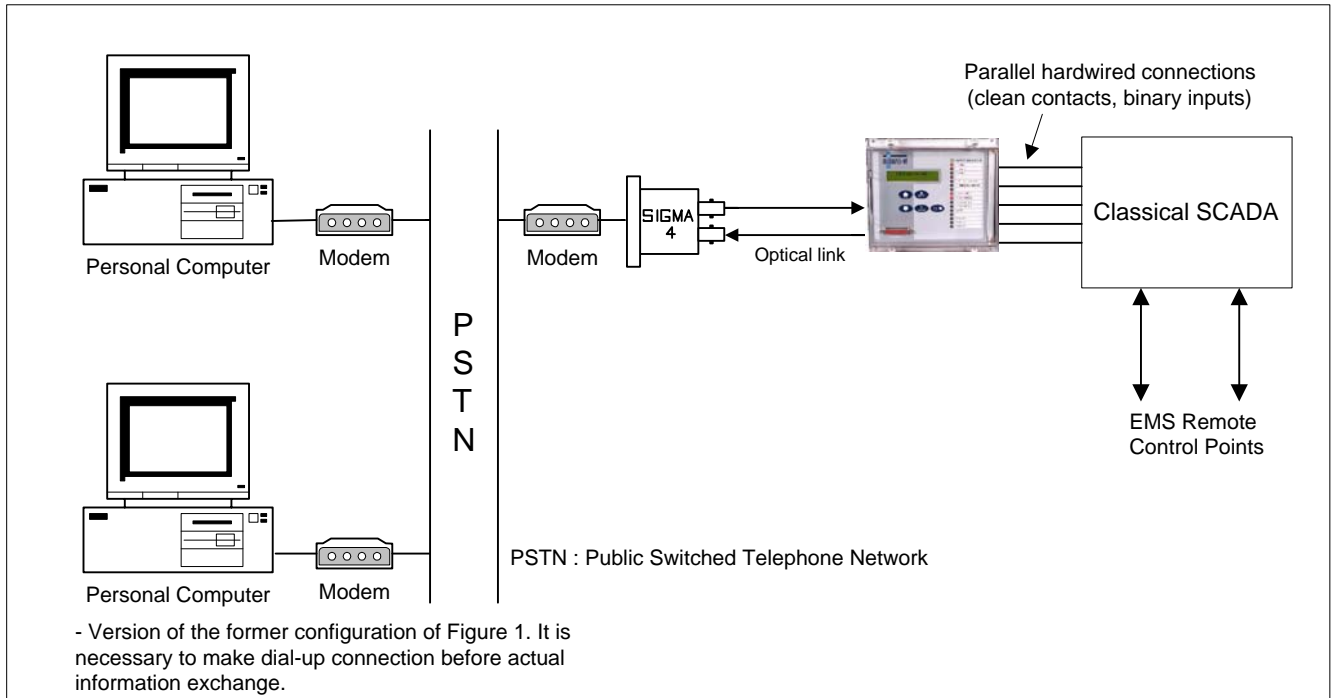


Figure 2 - Basic Communications Configuration (Remote)

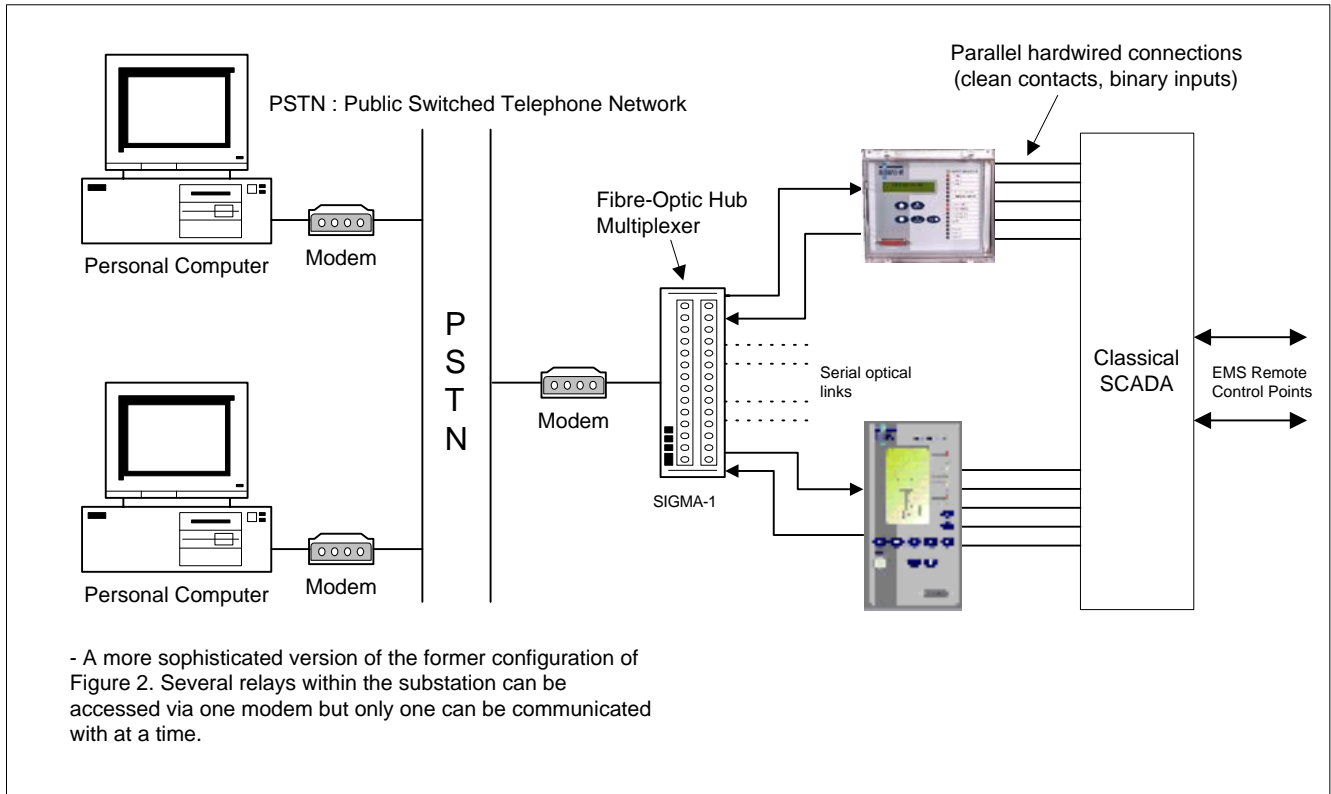


Figure 3 - Star Type Configuration (Using SIGMA-1 Multiplexer)

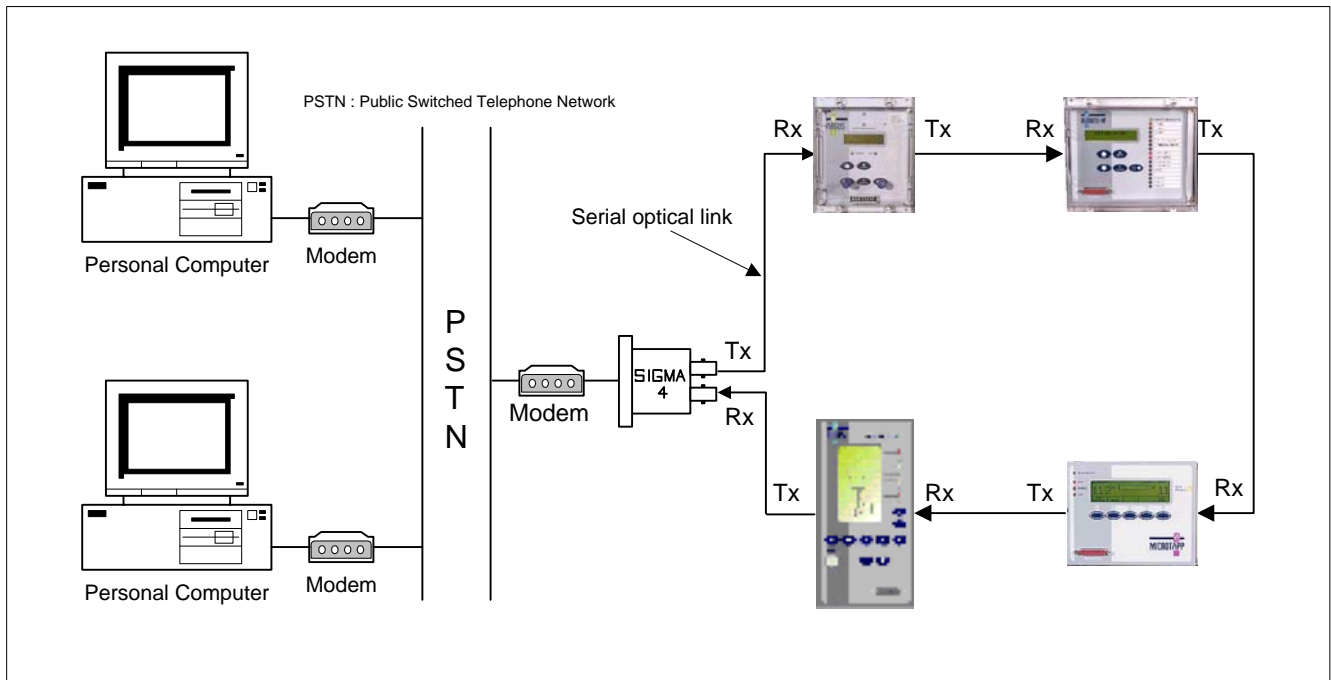


Figure 4 - Optical Ring Configuration (Using SIGMA-4 Fibre/RS232 Converter)

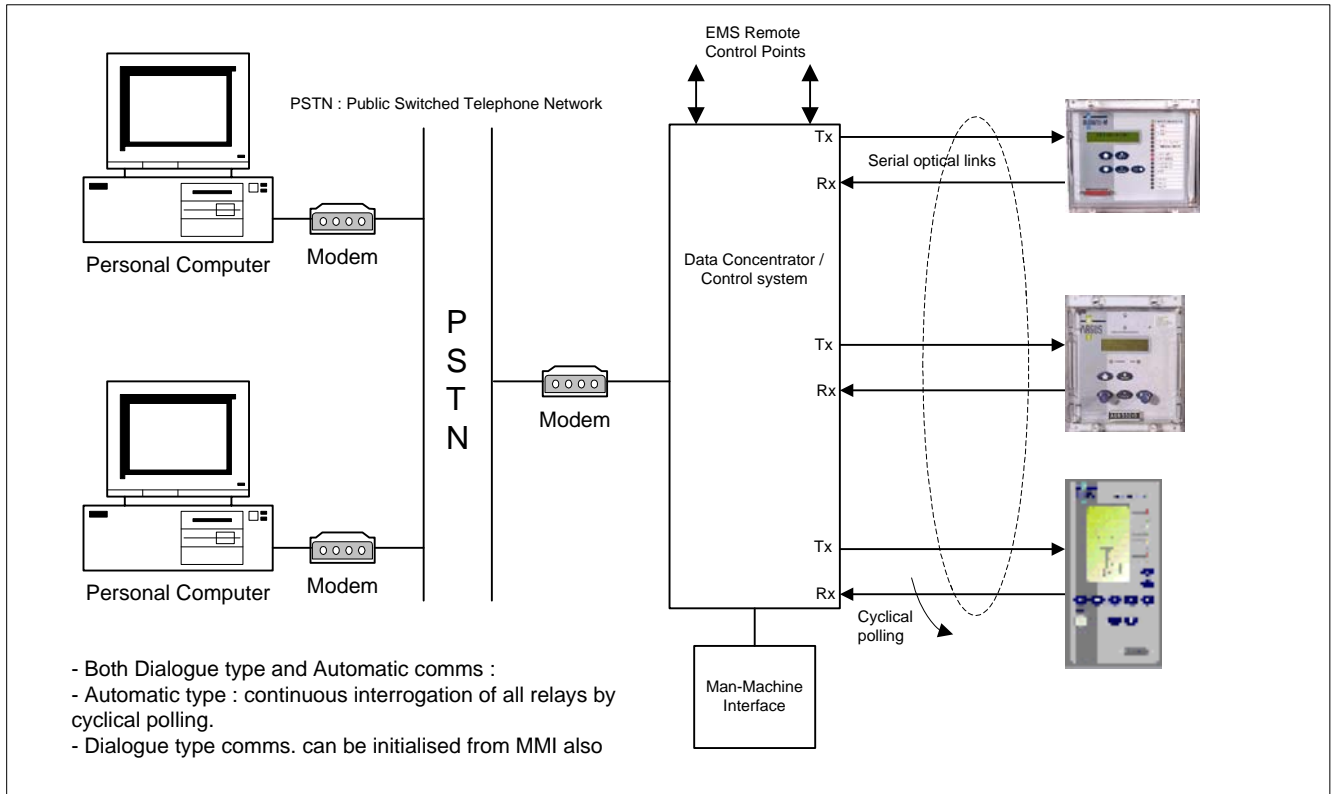


Figure 5 – Direct Control System/Data Concentrator Configuration

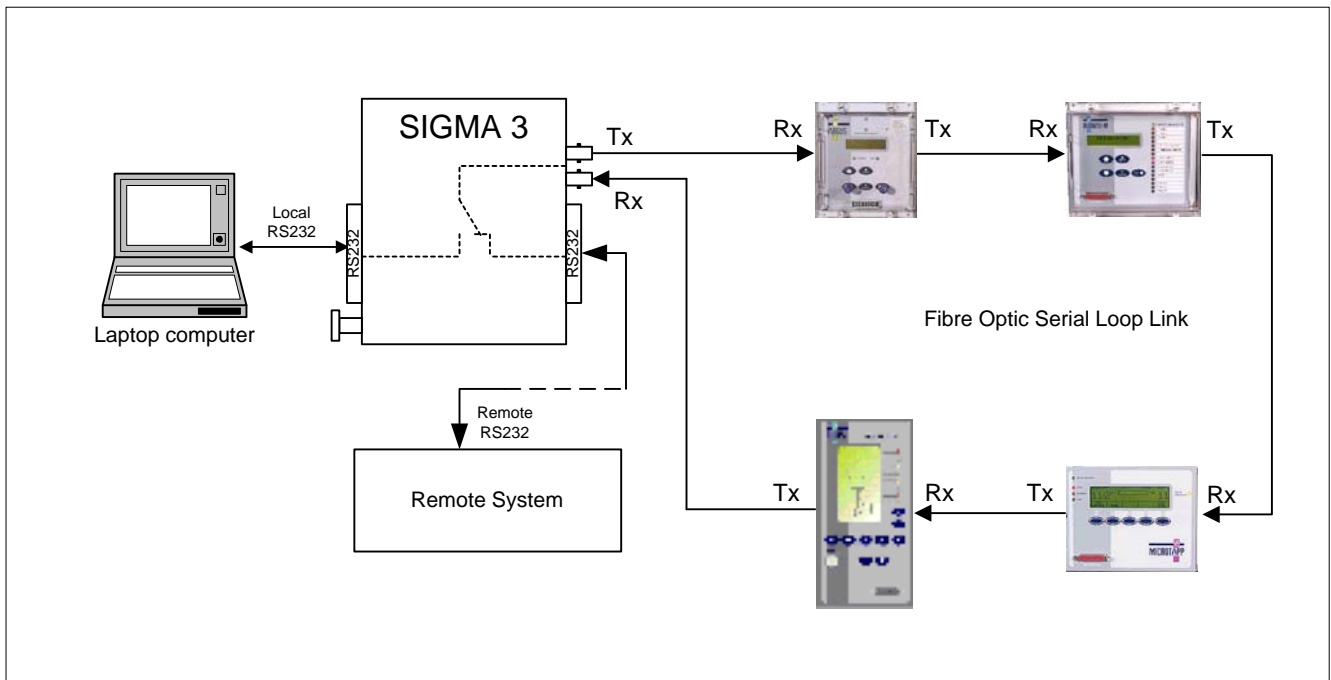


Figure 6 – Automatic switchover remote to local control using the SIGMA-3

When a portable PC is plugged into the front part of a SIGMA-3 then the remote system is automatically disconnected to ensure local control only. Alternatively on Modular II relays the portable PC may be plugged directly into the front fascia RS232 connection.

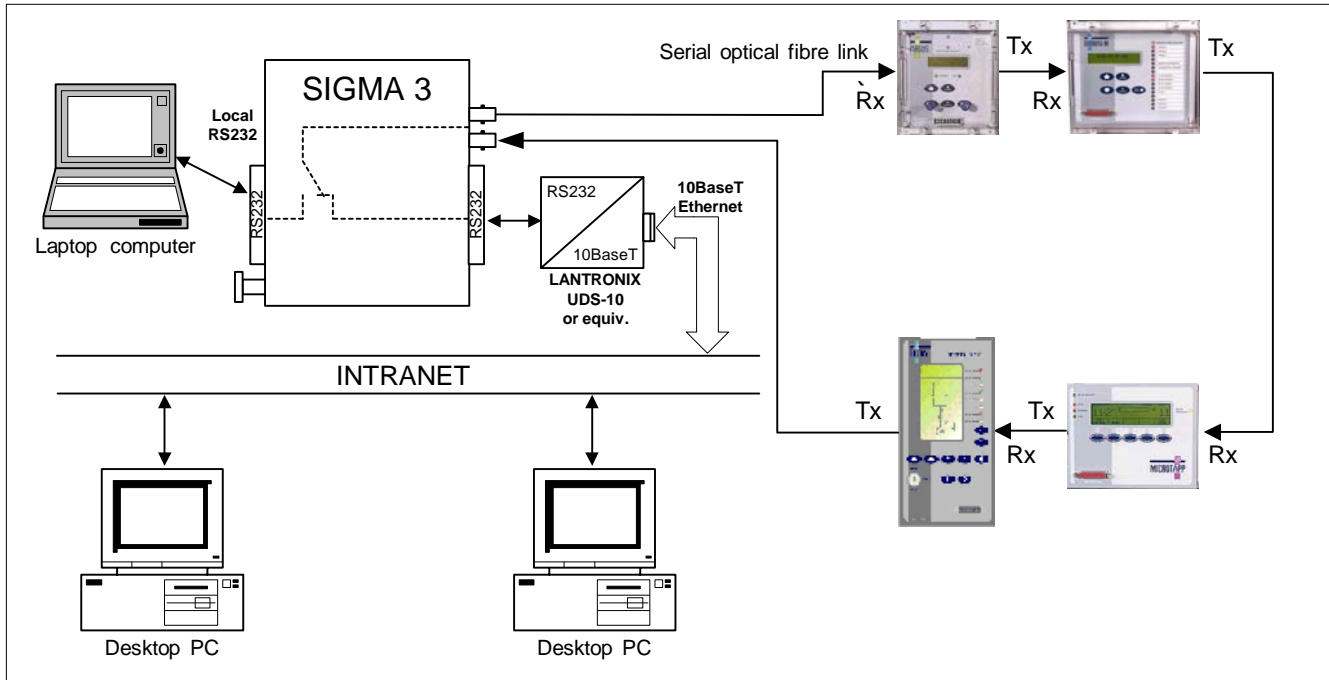


Figure 7 – LAN Network connectivity using a SIGMA-3 + Lantronix UDS-10 or equivalent

A SIGMA-3 unit may be used as shown in Figure 7 to connect Argus and Modular II protection relays to a local area network via an Ethernet to RS232 convertor such as the Lantronix UDS-10 or similar device. SIGMA-3 units may be used on a per bay or per substation basis. They provide a single point of contact to the protection relays for monitoring and diagnostic purposes.